

iPod INTEGRATION MODULE

INSTALLATION INSTRUCTIONS

Vehicle: CX-9 Specific Instructions

Parts number:

Thank you for purchasing a genuine Mazda accessory.
Before removal and installation, be sure to thoroughly read these instructions.
Please read the contents of this booklet in order to properly install and use the iPod integration module.
Your safety depends on it.
Keep these instructions with your vehicle records for future reference.

Note:

- There are several **⚠WARNING** and **⚠CAUTION** sections in this booklet concerning safety when installing or removing the iPod integration module. Always read and follow them in order to prevent injuries, accidents, and possible damage to the vehicle.

⚠ WARNING: Indicates a situation in which serious injury or death could result if the warning is ignored.

⚠ CAUTION: Indicates a situation in which bodily injury or damage to the vehicle could result if the caution is ignored.

- Do not modify the iPod integration module.
- Do not install the iPod integration module in any way other than described in the following instructions.
- If in any doubt, please ask your Mazda dealer to install the accessory in order to prevent errors in installation.
- If you have any questions about the use of the accessory, ask your Mazda dealer for proper advice before using it.
- Mazda and its suppliers are not responsible for injuries, accidents, and damage to persons and property that arise from the failure of the dealer or installer to follow these instructions.
- To ensure safety and reliability of the work, installation, removal and disposal work by an Authorized Mazda Dealership is recommended.
- Be careful not to lose removed parts, and be sure that they are kept free from scratches, grease or other dirt.

To the dealer

Please turn over these instructions to the customer after installation.

To the customer

- Keep these instructions after installation. The instructions may be necessary for installing other optional parts or removal of this accessory.
- Should the vehicle or this accessory be resold, always leave these instructions with it for the next owner.

* iPod is a trademark of Apple Computer, Inc., registered in the United States and other countries.

1ED6P11A10000

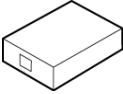




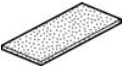
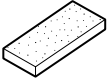
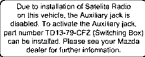
1. PARTS

PARTS LIST

NOTE:

- Before installation, verify that the kit includes all the following parts and that they are free of dirt, scratches, or damage.

● iPod Integration Module (Part No. C9F1 V6 572)

Parts	Part Name	Qty	Parts	Part Name	Qty	Parts	Part Name	Qty
	iPod Integration module	1		Harness (c)	1		iPod Connection Cable	1
	Tie wrap Large 300 mm Small 100 mm	L 7 S 10		Double-sided adhesive tape (44 × 118mm)	2		Pad protector (50 × 100 mm)	10
	Urethane	1		Label	1			

- ※ To install the iPod integration module to a vehicle with an AUX terminal and activate both AUX terminal and iPod integration module, the switching box (selector box) (Part No.: C9F1 V6 261) can be installed. Please purchase and install it according to the installation instructions included with the switching box (selector box).

2. REQUIRED TOOLS

- ☆ Flathead screwdriver
- ☆ Socket wrench
- ☆ Pliers
- ☆ Soft cloth
- ☆ Phillips screwdriver
- ☆ Cutter knife
- ☆ Scissors
- ☆ Vinyl tape
- ☆ Fastener remover
- ☆ Mat

3. BEFORE INSTALLATION

⚠ CAUTION

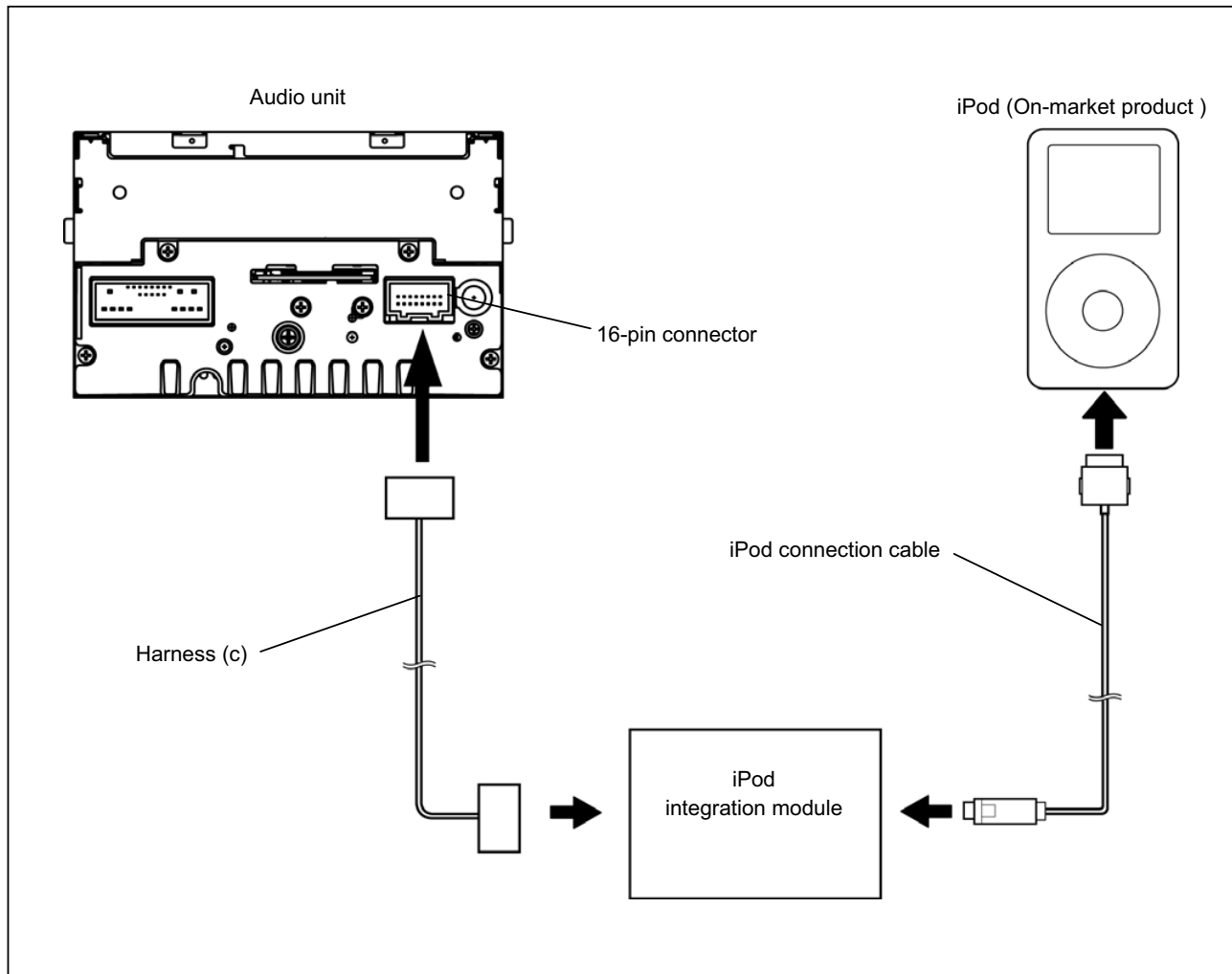
- To prevent short related accidents while performing procedures, disconnect the negative battery cable before beginning any work.
- When disconnecting the connector, hold the connector itself to remove while pressing the connector lock.
- Do not apply excessive force to the wiring harness as it could cause an open circuit.
- When locking connectors, listen for a click that will indicate they are securely locked.
- Be careful not to pinch the wiring harness. Otherwise, the wiring harness could be damaged.
- When removing and installing vehicle parts, make sure they are clean with no scratches. Also, be sure to cover the vehicle body with protectors or mats when removing/installing parts to prevent scratches and dirt.

NOTE:

- Refer to the applicable Workshop Manual for removal and installation of vehicle parts. Not following the procedures for removal/installation in the Workshop Manual could result in an accident or vehicle malfunction.
- When the negative battery cable is removed, the clock, radio, trip meters and other memories will be erased. Before performing work, record the content of the memory.

4. CONNECTION DIAGRAM

● Installation of iPod integration module



5. CAUTIONS ON CONNECTION

⚠ CAUTION

- When connecting a connector, be sure to insert it straight along the guide. The connector terminal may be bent if inserted at an angle.

■ Installation instructions (For **CX-9** only) :

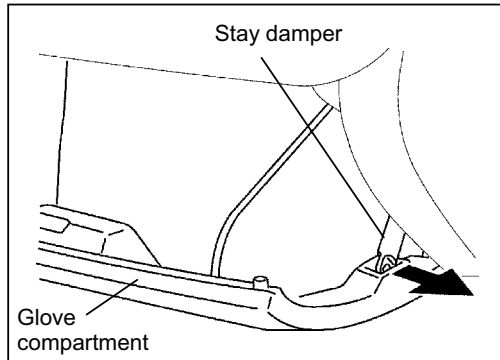
1. VEHICLE PARTS REMOVAL

Negative battery terminal disconnection

1. Set the selector lever to D range.
2. Disconnect the negative battery cable and wrap tape around it to insulate.

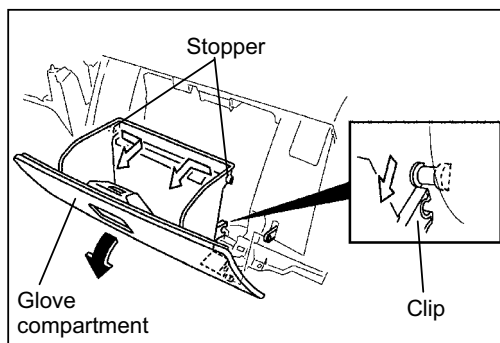
⚠ WARNING

- A short circuit while performing work may cause damage to parts, electric shock or other injury. Be sure to disconnect the negative battery cable and do not allow the terminal to contact any other parts.

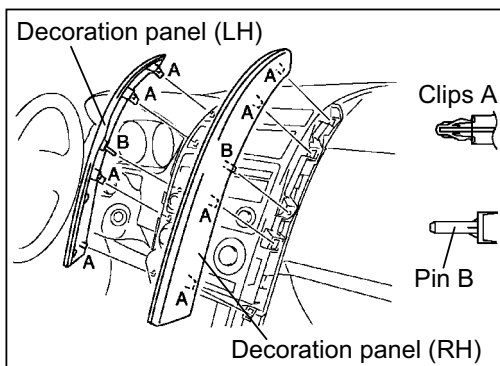


Glove compartment removal

1. Pull the stay damper in the direction shown in the figure, and detach the connecting part between the glove compartment and the stay damper.

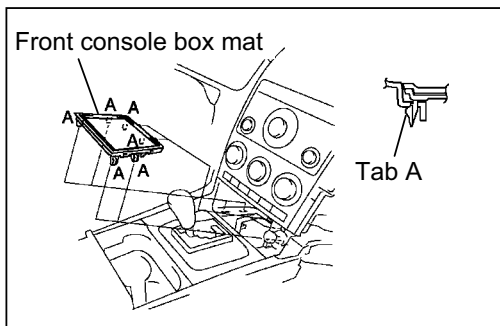


2. Press the stopper in and remove it.
3. Lower the glove compartment.
4. Detach the clips from the dashboard and remove the glove compartment.



Decoration panel removal

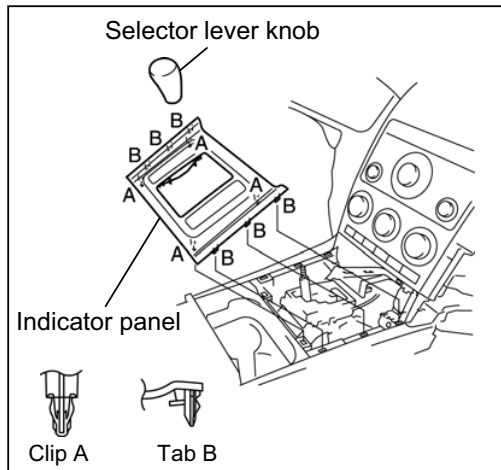
1. Pull the decoration panel outward and detach clips A (4 locations) and pin B (1 location).
2. Remove the decoration panel.



Front console box mat removal

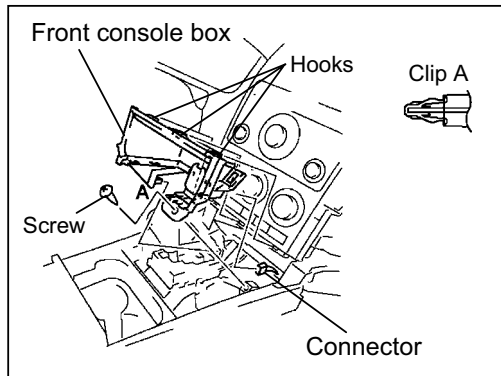
1. Pull the front console box mat outward and detach tabs A (6 locations), then remove the front console box mat.

■ Installation instructions (For **CX-9** only) :



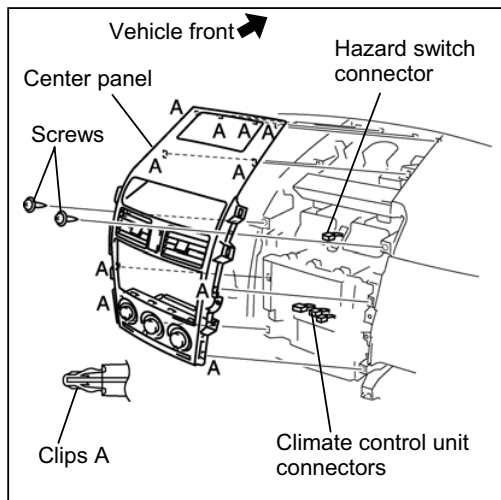
Indicator panel removal

1. Remove the selector lever knob.
2. Pull the indicator panel upward and detach clips A (4 locations) and tabs B (6 locations), then remove the indicator panel.



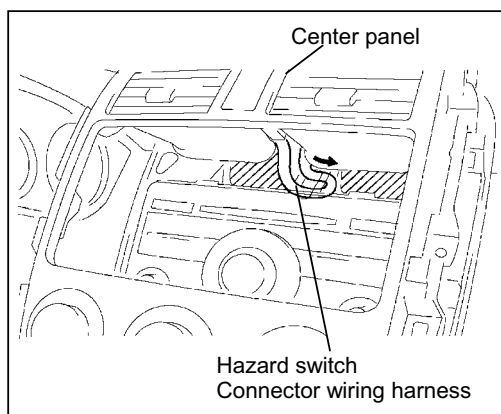
Front console box removal

1. Remove a screw (1 location).
2. Pull the front console box outward and detach clip A (1 location) and hooks (3 locations).
3. Disconnect the accessory socket connector.
4. Remove the front console box.



Center panel removal

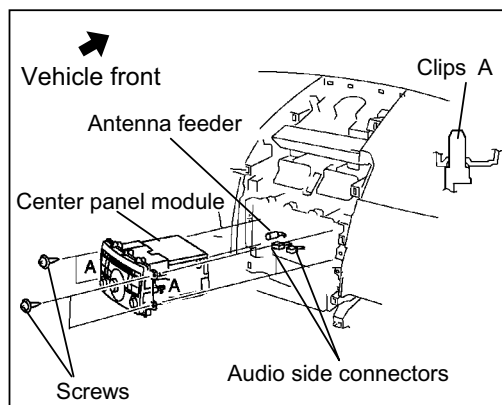
1. Remove the screws (2 locations).
2. Pull the center panel outward and detach clips A (10 locations).
3. Disconnect the hazard switch connector and climate control unit connectors
4. Remove the center panel.



⚠ CAUTION

- The ventilator grilles will be installed to the shaded areas shown in the figure. Therefore, if a wiring harness is in the areas, it could get caught and damaged. When installing the center panel, completely press in the wiring harnesses of the hazard warning switch connector in the direction of the arrow so that the wiring harnesses will not be caught.

■ Installation instructions (For **CX-9** only) :



Center panel module removal

1. Remove the screws (4 locations).
2. Pull the center panel module outward slowly and detach clips A (2 locations).
3. Disconnect the audio side connectors (2 locations) and antenna feeder, then remove the center panel module.

CAUTION

- When installing the center panel module, make sure that the wiring harness and antenna feeder are not caught between the module and dashboard. If the wiring harness or the antenna feeder is caught between the module and dashboard, it may cause malfunctions.

■ Installation instructions (For **CX-9** only) :

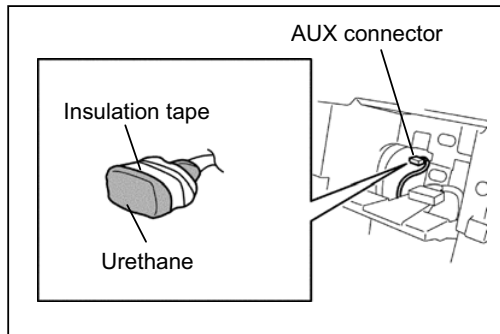
2. INSTALLATION

⚠ CAUTION

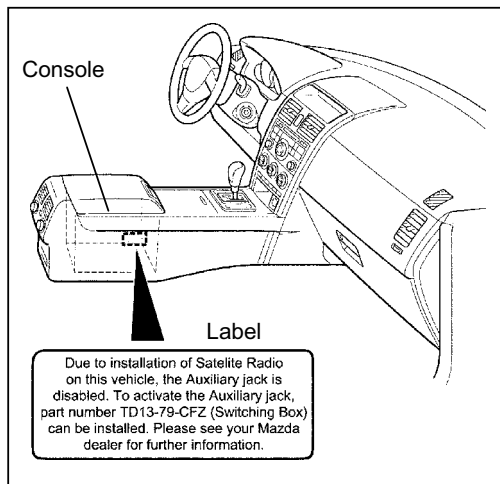
There are two different procedures to install the iPod to the CX-7. Refer to the following procedures.

- [The iPod integration module installation disables the auxiliary jack] :
Go to "3. INSTALLATION WITHOUT ENABLING AUXILIARY JACK".
- [A switching box (selector box) is to be purchased and both the iPod and AUX are to be enabled]:
Refer to the switching box (selector box) Installation instructions for CX-9 included with that part.

3. INSTALLATION WITHOUT ENABLING AUXILIARY JACK



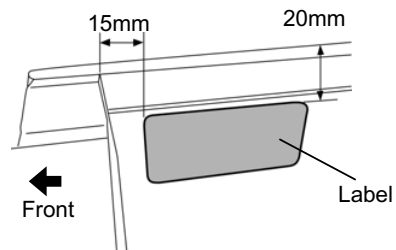
1. Wrap the AUX connector connected to the center panel module with urethane and secure with insulation tape.



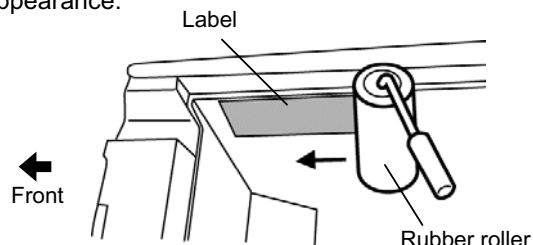
2. Adhere the label to the console.

⚠ CAUTION

1. Clean installation area with a light mist of 50/50 alcohol and water.
2. Place the sticker 15mm from the front edge and 20 mm from the top of the console.
(note, use the edge of the inset in the console for a guide.
The label should be placed as straight as possible)



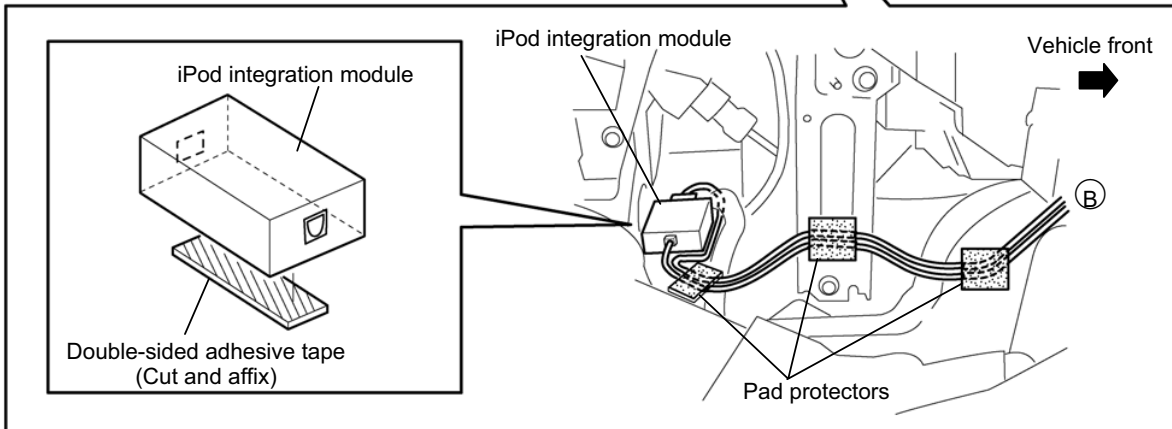
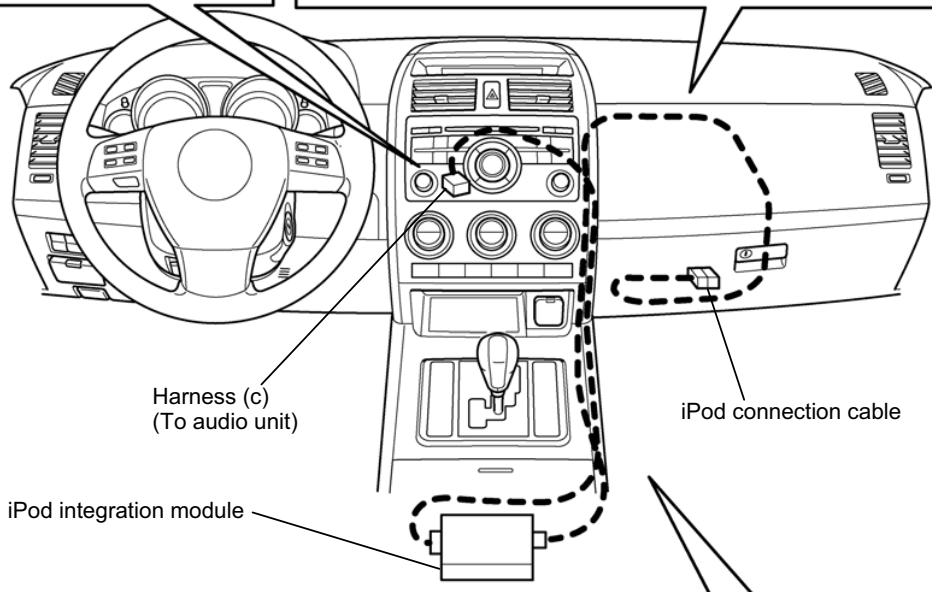
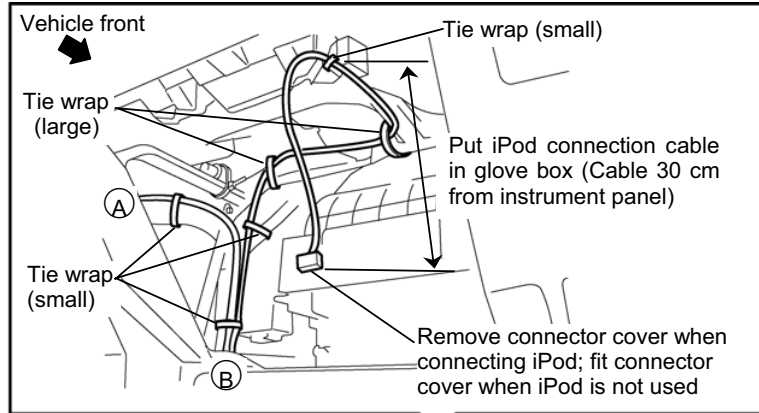
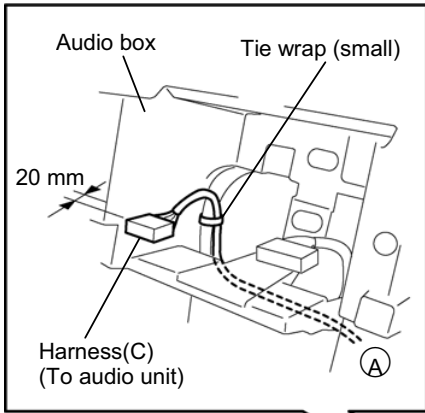
3. Use a hard rubber roller to apply equal pressure against to the label to assure it is completely adhered to the side of the console.
4. Inspect the label, and make sure it is straight in appearance.



4. INSTALLATION OF iPod INTGRATION MODULE ONLY

⚠ CAUTION

- To prevent an open or short circuit in the wiring of the iPod integration module, be sure to route cables avoiding sharp edges and burrs on the vehicle's sheet metal.
- To ensure proper adhesion, be sure to degrease the area where the double-sided adhesive tape is to be adhered.
- After fixing a cable with a tie wrap, cut off excess tie wrap using nippers. Otherwise it may interfere with other parts causing malfunction or noise.



- Installation instructions (For **CX-9** only) :

5. OPERATION CHECK

1. Temporarily install the center panel module in the reverse order of removal so that an operation check can be performed.
2. Connect the negative battery cable and perform an operation check by referring to the installation and user's instructions applicable to the vehicle.
 - If there is no operation malfunction, install the vehicle parts in the reverse order of removal.

CAUTION

- When locking connectors, listen for a click that will indicate they are securely locked.

3. If there is any malfunction, disconnect the negative battery cable and verify that each connector is properly connected and the wiring harnesses are not damaged or pinched, then perform the operation check again. If it does not operate normally, contact the dealer where the unit was purchased.
 - If an error code appears during the operation check, refer to the applicable Workshop Manual for the vehicle and perform the repair.

CAUTION

- When the battery is disconnected, the windows will not fully open and close automatically.
Perform the following procedure to resume operation:
 1. Turn the ignition switch to the ON position.
 2. Press the switch and fully open the window.
 3. Pull up the switch and continue holding for about 2 seconds to fully close the window.
 4. If the function does not operate even after the ignition switch is turned off, contact an Authorized Mazda Dealer.